

UH Series



Features

Excellent heat resistance
Available in various sizes & materials
High reliability

Applications

E.M.I. Suppression on round cable...
Computer and peripheral products
Consumer electronic products
Communication electronic products
Measuring instruments

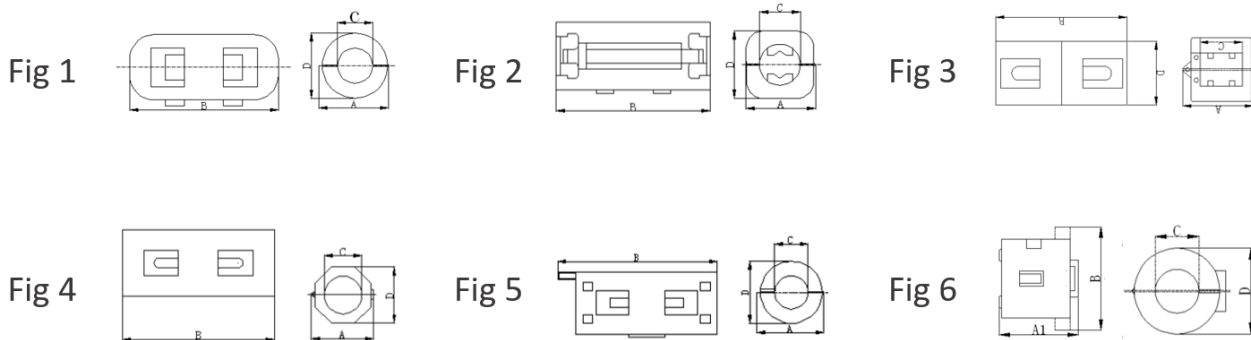
Product Identification

S X X U H X x X x X - X X (X X X X X)
For example: S25 UH 26x29.2x13-S6B (1330R)

General Specifications

Test Frequency.....25MHz
Test Frequency.....100MHz
Parameters Test Temp..... 25℃
Operation Temp.....-20℃ to +85℃
(Including temperature Rise)
Storage Temp.....0~40℃
Storage Humidity.....<70% RH

Shape



Standard Specifications And Dimensions

Stamp	Impedance 25MHz (Ω)Typ	Impedance 100MHz (Ω)Typ	Dimensions In mm				Cable Diameter (Max)	Fig
			A	B	C	D		
S30 UH 8.4x15.5x3.8-S9 (LF-35)	60	120	15.50±1.0	25.50±1.0	4.30±1.0	15.00±1.0	φ 3.0	1
S36 UH 10x15x6-F23 (S-10)	40	70	14.50±1.0	18.00±1.0	6.50±1.0	13.00±1.0	φ 5.0	4
S30 UH 10.1x20x5-S9 (0530A)	60	120	15.20±1.0	23.50±1.0	6.50±1.0	14.50±1.0	φ 3.5	2
S30 UH 10.1x21x5.3-S9 (LF-50)	65	130	17.00±1.0	29.50±1.0	5.50±1.0	15.50±1.0	φ 4.5	1
S30 UH 10.1x21x5.3-S9 (LF-50S)	65	130	15.20±1.0	23.50±1.0	6.50±1.0	14.50±1.0	φ 4.5	3
S30 UH 12x15x7-S9 (0730)	35	70	16.00±1.0	22.50±1.0	7.50±1.0	14.50±1.0	φ 6.0	5
S30 UH 13x23x5.2-S9 (0730A)	95	190	16.50±1.0	30.50±1.0	7.00±1.0	14.50±1.0	φ 3.5	1
S30 UH 13x23x7-S9 (0730A)	70	150	16.50±1.0	30.50±1.0	7.00±1.0	14.50±1.0	φ 6.0	2
S28 UH 16x13x8-S6 (LF-801)	30	80	23.50±1.0	23.00±1.0	8.50±1.0	19.50±1.0	φ 7.5	7
S28 UH 16x16x8-S6 (LF-802)	40	100	23.00±1.0	26.00±1.0	8.00±1.0	19.50±1.0	φ 7.5	7
S25 UH 16x28x9-S6B (0930)	80	150	20.00±1.0	35.50±1.0	10.00±1.0	18.00±1.0	φ 8.5	5

* All the data listed in this catalogue are for reference only, JENG SHI reserves the right to alter or revise the specifications without prior notification.

* Beyond the above specification also can meet the special requirements. Need detailed content Please to the website query or contact us.

Standard Specifications And Dimensions

Stamp	Impedance 25MHz (Ω)Min	Impedance 100MHz (Ω)Min	Dimensions In mm				Cable Diameter (Max)	Fig
			A	B	C	D		
S25 UH 16x28x9-S6B (0930A)	60	130	20.00±1.0	35.50±1.0	10.00±1.0	18.00±1.0	φ 7.0	1
S28 UH 17.2x28x10-S6 (1130)	70	130	21.00±1.0	36.50±1.0	12.00±1.0	21.00±1.0	φ 9.5	5
S28 UH 17.2x28x11-S6 (1130)	65	140	20.50±1.0	36.00±1.0	9.50±1.0	19.00±1.0	φ 10.0	5
S28 UH 18x28x10-S6 (1030A)	80	140	21.50±1.0	35.50±1.0	10.50±1.0	20.50±1.0	φ 9.0	1
S28 UH 19x30x10.2-S6 (LF-100S)	90	160	25.00±1.0	32.50±1.0	12.00±1.0	23.50±1.0	φ 9.0	3
S28 UH 20x29x13-S6 (1330A)	65	110	24.00±1.0	36.00±1.0	13.50±1.0	22.00±1.0	φ 12.0	1
S28 UH 20.5x10x10-S6 (LF-100R)	20	70	28.50±1.0	19.50±1.0	10.00±1.0	25.00±1.0	φ 9.5	7
S28 UH 24x14x12-S6 (LF-120)	45	100	31.50±1.0	23.00±1.0	12.00±1.0	28.00±1.0	φ 11.0	7
S28 UH 25x12x15-S6 (LF-150)	35	85	33.50±1.0	20.50±1.0	14.50±1.0	29.00±1.0	φ 14.0	7
S25 UH 15x29.5x6.5-S6B (LF-65S)	110	200	20.00±1.0	33.00±1.0	8.50±1.0	19.50±1.0	φ 5.8	3
S28 UH 15.5x29.5x7.5-S6 (LF-75)	130	220	21.00±1.0	39.00±1.0	8.00±1.0	20.50±1.0	φ 7.5	2
S25 UH 26x29.2x13-S6B (1330R)	80	160	31.50±1.0	39.00±1.0	13.00±1.0	30.00±1.0	φ 12.0	5
S25 UH 26x29.5x13-S6B (LF-130S)	80	180	30.50±1.0	33.00±1.0	13.00±0.6	30.00±1.0	φ 12.0	3
S30 UH 26x38.9x19.4-S9 (LF-190S)	80	160	32.00±1.0	42.00±1.0	19.50±1.0	30.00±1.0	φ 18.0	3

*All the data listed in this catalogue are for reference only, JENG SHI reserves the right to alter or revise the specifications without prior notification.

*Beyond the above specification also can meet the special requirements. Need detailed content Please to the website query or contact us.