

## RH Series

### Features

One hole rod type  
 Excellent heat resistance.  
 Available in various sizes & materials  
 High reliability.

### Applications

E.M.I. Suppression on round cable...  
 Computer and peripheral products  
 Consumer electronic products  
 Communication electronic products  
 Measuring instruments

### Product Identification

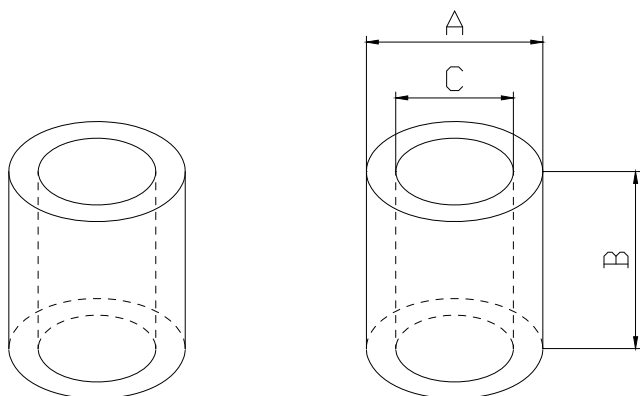
RH X x X x X  
 For example:RH 6X10X4

### General Specifications

Test Frequency.....25MHz  
 Test Frequency.....100MHz  
 Parameters Test Temp..... 25℃  
 Operation Temp.....-20℃ to +85℃  
 (Including temperature Rise)  
 Storage Temp.....0--40℃  
 Storage Humidity.....<70% RH



## Shape



## Standard Specifications And Dimensions

Stamp	Impedance 25MHz (Ω)Min	Impedance 100MHz (Ω)Min	Dimensions In mm		
			A	B	C
RH 3.5X4X1.8	20	50	3.50±0.3	4.00±0.3	1.80±0.3
RH 3.5X4.2X1.3	30	60	3.50±0.3	4.20±0.3	1.30±0.3
RH 3.5X4.7X0.8	32	65	3.50±0.3	4.70±0.3	0.80±0.2
RH 3.5X5X0.8	35	70	3.50±0.3	5.00±0.3	0.80±0.2
RH 3.5X5X1.2	30	55	3.50±0.3	5.00±0.3	1.20±0.3
RH 3.5X5X1.8	25	50	3.50±0.3	5.00±0.3	1.80±0.3
RH 3.5X6X0.8	40	75	3.50±0.3	6.00±0.3	0.80±0.2
RH 3.5X8X0.8	51	77	3.50±0.3	8.00±0.3	0.80±0.2
RH 3.5X9X0.8	60	90	3.50±0.3	9.00±0.4	0.80±0.2
RH 3.5X9X1.3	55	75	3.50±0.3	9.00±0.4	1.30±0.3
RH 3.5X10X0.8	65	110	3.50±0.3	10.0±0.4	0.80±0.2
RH 3.5X10X1.8	40	85	3.50±0.3	10.0±0.4	1.80±0.3
RH 4X5X2	25	75	4.00±0.3	5.00±0.4	2.00±0.3
RH 4X6X2	28	78	4.00±0.3	6.00±0.4	2.00±0.3
RH 4X7X2	30	80	4.00±0.3	7.00±0.4	2.00±0.3
RH 4X10X1.5	35	90	4.00±0.3	10.0±0.5	1.50±0.3
RH 4X10X2	40	95	4.00±0.3	10.0±0.4	2.00±0.3
RH 4X12X2	50	100	4.00±0.3	12.0±0.5	2.00±0.3
RH 4X12.5X1.5	60	110	4.00±0.3	12.5±0.5	1.50±0.3
RH 4.6X11X2	50	100	4.60±0.3	11.0±0.5	2.00±0.3

\* All the data listed in this catalogue are for reference only, JENG SHI reserves the right to alter or revise the specifications without prior notification.

\* Beyond the above specification also can meet the special requirements. Need detailed content Please to the website query or contact us.

## Standard Specifications And Dimensions

Stamp	Impedance 25MHz ( $\Omega$ )Min	Impedance 100MHz ( $\Omega$ )Min	Dimensions In mm		
			A	B	C
RH 5X6X2.4	35	90	5.00±0.4	6.00±0.4	2.40±0.3
RH 5X8X3	30	75	5.00±0.4	8.00±0.4	3.00±0.3
RH 5X9X3	35	80	5.00±0.4	9.00±0.4	3.00±0.3
RH 5.5X8X3	35	80	5.50±0.4	8.00±0.4	3.00±0.3
RH 5.5X9X3	38	85	5.50±0.4	9.00±0.4	3.00±0.3
RH 5X10X2.5	45	100	5.00±0.4	10.0±0.4	2.50±0.3
RH 5X10X3	40	90	5.00±0.4	10.0±0.4	3.00±0.3
RH 5.1X12.7X2.3	50	110	5.10±0.4	12.7±0.5	2.30±0.3
RH 5.6X10X3.1	35	90	5.60±0.4	10.0±0.4	3.10±0.3
RH 5.5X12.7X3	40	100	5.50±0.4	12.7±0.5	3.00±0.3
RH 6X8X3	40	90	6.00±0.4	8.00±0.4	3.00±0.3
RH 6X10X3	45	105	6.00±0.4	10.0±0.4	3.00±0.3
RH 6X10X4	30	80	6.00±0.4	10.0±0.4	4.00±0.4
RH 6X10.7X3	40	100	6.00±0.4	10.7±0.4	3.00±0.3
RH 6X12.7X3	45	115	6.00±0.4	12.7±0.5	3.00±0.3
RH 6X18X3	75	145	6.00±0.4	18.0±0.5	3.00±0.3
RH 6.35X12.7X3.3	55	115	6.35±0.4	12.7±0.5	3.30±0.3
RH 6.35X15.3X3.2	60	120	6.35±0.4	15.3±0.5	3.20±0.3
RH 6.35X15.8X3.3	60	120	6.35±0.4	15.8±0.5	3.30±0.3
RH 6.5X8X4.5	25	75	6.50±0.4	8.00±0.4	4.50±0.4
RH 6.5X10X4.3	30	80	6.50±0.4	10.0±0.4	4.30±0.4
RH 6.5X12.7X4.5	30	90	6.50±0.4	12.7±0.5	4.50±0.4
RH 6.78X14.2X4	50	110	6.78±0.4	14.2±0.5	4.00±0.4
RH 6.5X15.6X4	55	119	6.50±0.4	15.6±0.5	4.00±0.4
RH 7X7X4	25	75	7.00±0.4	7.00±0.4	4.00±0.4
RH 7X8X5	20	70	7.00±0.4	8.00±0.4	5.00±0.4
RH 7X10X4.5	30	85	7.00±0.4	10.0±0.4	4.50±0.4
RH 7.5X8X5.3	25	75	7.50±0.4	8.00±0.4	5.30±0.4
RH 7.5X20X4	70	150	7.50±0.4	20.0±0.5	4.00±0.4
RH 7.75X13X4	65	115	7.75±0.4	13.0±0.5	4.00±0.4
RH 7.75X19X4	75	155	7.75±0.4	19.0±0.5	4.00±0.4
RH 7.8X18X4	70	135	7.80±0.4	18.0±0.5	4.00±0.4
RH 7.8X12.7X4	45	115	7.80±0.4	12.7±0.5	4.00±0.4
RH 7.8X12.7X4.5	40	100	7.80±0.4	12.7±0.5	4.50±0.4
RH 7.8X13X4.5	40	100	7.80±0.4	13.0±0.5	4.50±0.4
RH 7.8X14.2X4	50	115	7.80±0.4	14.2±0.5	4.00±0.4
RH 7.8X14.2X4.5	45	110	7.80±0.4	14.2±0.5	4.50±0.4
RH 7.8X18X4.5	55	130	7.80±0.4	18.0±0.5	4.50±0.4
RH 7.8X25X4.5	85	170	7.80±0.4	25.0±0.6	4.50±0.4
RH 7.9X19X4.5	60	135	7.90±0.4	19.0±0.5	4.50±0.4
RH 8X9X5	30	85	8.00±0.4	9.00±0.4	5.00±0.4
RH 8X9.8X6	25	75	8.00±0.4	9.80±0.4	6.00±0.4

\* All the data listed in this catalogue are for reference only, JENG SHI reserves the right to alter or revise the specifications without prior notification.

\* Beyond the above specification also can meet the special requirements. Need detailed content Please to the website query or contact us.

## Standard Specifications And Dimensions

Stamp	Impedance 25MHz ( $\Omega$ )Min	Impedance 100MHz ( $\Omega$ )Min	Dimensions In mm		
			A	B	C
RH 8X10X3.6	45	110	8.00±0.4	10.0±0.4	3.60±0.3
RH 8X10X5.6	20	70	8.00±0.4	10.0±0.4	5.60±0.4
RH 8X12X4	45	110	8.00±0.4	12.0±0.4	4.00±0.4
RH 8X12X5.5	30	85	8.00±0.4	12.0±0.4	5.50±0.4
RH 8X12.9X5.6	25	80	8.00±0.4	12.9±0.5	5.60±0.4
RH 8X15X5.6	30	85	8.00±0.4	15.0±0.5	5.60±0.4
RH 8X20X3.6	70	150	8.00±0.4	20.0±0.5	3.60±0.3
RH 8X20X5.6	35	95	8.00±0.4	20.0±0.5	5.60±0.4
RH 8.4X20X4.2	80	160	8.40±0.4	20.0±0.5	4.20±0.4
RH 9X9.5X5	40	95	9.00±0.4	9.50±0.4	5.00±0.4
RH 9X10X4.5	40	100	9.00±0.4	10.0±0.4	4.50±0.4
RH 9X10X4.9	35	95	9.00±0.4	10.0±0.4	4.90±0.4
RH 9X12X4.5	45	110	9.00±0.4	12.0±0.5	4.50±0.4
RH 9X12X5	35	100	9.00±0.4	12.0±0.5	5.00±0.4
RH 9X14.5X5	45	115	9.00±0.4	14.5±0.5	5.00±0.4
RH 9X15.3X4.4	65	135	9.00±0.4	15.3±0.5	4.40±0.4
RH 9X16X4.2	80	160	9.00±0.4	16.0±0.5	4.20±0.4
RH 9X16X5	50	120	9.00±0.4	16.0±0.5	5.00±0.4
RH 9X16X5.6	45	115	9.00±0.4	16.0±0.5	5.60±0.4
RH 9X18X5.6	50	120	9.00±0.4	18.0±0.5	5.60±0.4
RH 9X18.5X5	55	125	9.00±0.4	18.5±0.5	5.00±0.4
RH 9X20X5.5	55	130	9.00±0.4	20.0±0.5	5.50±0.4
RH 9X24.5X5	75	165	9.00±0.4	24.5±0.6	5.00±0.4
RH 9X25X5.6	65	155	9.00±0.4	25.0±0.6	5.60±0.4
RH 9.5X10X5	32	90	9.50±0.4	10.0±0.4	5.00±0.4
RH 9.5X10X5.8	35	85	9.50±0.4	10.0±0.4	5.80±0.4
RH 9.5X10.3X5	35	95	9.50±0.4	10.3±0.4	5.00±0.4
RH 9.5X10.4X5	40	100	9.50±0.4	10.4±0.4	5.00±0.4
RH 9.5X11X4.8	42	102	9.50±0.4	11.0±0.5	4.80±0.4
RH 9.5X12X4.8	45	105	9.50±0.4	12.0±0.5	4.80±0.4
RH 9.5X12.7X4.75	50	110	9.50±0.4	12.7±0.5	4.75±0.4
RH 9.5X14.5X5	55	110	9.50±0.4	14.5±0.5	5.00±0.4
RH 9.5X14.5X6	40	100	9.50±0.4	14.5±0.5	6.00±0.4
RH 9.5X15X5	60	130	9.50±0.4	15.0±0.5	5.00±0.4
RH 9.5X16X5	50	130	9.50±0.4	16.0±0.5	5.00±0.4
RH 9.5X18X4.8	65	140	9.50±0.4	18.0±0.5	4.80±0.4
RH 9.5X19X5	60	140	9.50±0.4	19.0±0.5	5.00±0.4
RH 9.5X19.5X5	75	155	9.50±0.4	19.5±0.5	5.00±0.4
RH 9.5X20X4	95	180	9.50±0.4	20.0±0.5	4.00±0.4
RH 9.5X20X5	65	140	9.50±0.4	20.0±0.5	5.00±0.4
RH 9.5X25X4.8	85	200	9.50±0.4	25.0±0.6	4.80±0.4
RH 9.6X15.5X4.6	60	140	9.60±0.4	15.5±0.5	4.60±0.4

\* All the data listed in this catalogue are for reference only, JENG SHI reserves the right to alter or revise the specifications without prior notification.

\* Beyond the above specification also can meet the special requirements. Need detailed content Please to the website query or contact us.

## Standard Specifications And Dimensions

Stamp	Impedance 25MHz ( $\Omega$ )Min	Impedance 100MHz ( $\Omega$ )Min	Dimensions In mm		
			A	B	C
RH 9.7X10.2X3.8	60	120	9.70±0.4	10.2±0.4	3.80±0.3
RH 9.75X25X3.8	115	245	9.75±0.4	25.0±0.6	3.80±0.3
RH 9.8X13.5X3.8	75	145	9.80±0.4	13.5±0.5	3.80±0.3
RH 9.8X13.5X5.6	50	115	9.80±0.4	13.5±0.5	5.60±0.4
RH 9.8X13.5X6.35	40	90	9.80±0.4	13.5±0.5	6.35±0.4
RH 9.8X14X5.6	50	115	9.80±0.4	14.0±0.5	5.60±0.4
RH 9.8X15.5X4.3	75	160	9.80±0.4	15.5±0.5	4.30±0.4
RH 9.8X15.7X6.3	40	100	9.80±0.4	15.7±0.5	6.30±0.4
RH 9.8X17.5X6.35	50	100	9.80±0.4	17.5±0.5	6.35±0.4
RH 9.8X18X6.5	40	100	9.80±0.4	18.0±0.5	6.50±0.4
RH 9.8X19.05X6.35	50	105	9.80±0.4	19.05±0.5	6.35±0.4
RH 10X12X5.5	45	105	10.0±0.4	12.0±0.5	5.50±0.4
RH 10X14X6	40	100	10.0±0.4	14.0±0.5	6.35±0.4
RH 10X15.5X6.5	50	100	10.0±0.4	15.5±0.5	6.50±0.4
RH 10X17X6	50	120	10.0±0.4	17.0±0.5	6.00±0.4
RH 10X17.5X5	70	150	10.0±0.4	17.5±0.5	5.00±0.4
RH 10X20X4.3	70	180	10.0±0.4	20.0±0.5	4.30±0.4
RH 10X20X5	70	155	10.0±0.4	20.0±0.5	5.00±0.4
RH 10X20X5.5	65	135	10.0±0.4	20.0±0.5	5.50±0.4
RH 10X20X6	55	125	10.0±0.4	20.0±0.5	6.00±0.4
RH 10X20X6.35	50	105	10.0±0.4	20.0±0.5	6.35±0.4
RH 10X23.5X6.5	50	115	10.0±0.4	23.5±0.6	6.50±0.4
RH 10X25X5.5	75	165	10.0±0.4	25.0±0.6	5.50±0.4
RH 10.4X10.4X5.8	40	95	10.4±0.4	10.4±0.4	5.80±0.4
RH 10.3X11.5X5	45	115	10.3±0.4	11.5±0.5	5.00±0.4
RH 10.5X12X5.5	45	105	10.5±0.4	12.0±0.5	5.50±0.4
RH 10.5X13.5X6.5	45	95	10.5±0.4	13.5±0.5	6.50±0.4
RH 10.5X14X6	50	115	10.5±0.4	14.0±0.5	6.00±0.4
RH 10.5X15X5.6	50	115	10.5±0.4	15.0±0.5	5.60±0.4
RH 10.5X15X7	35	100	10.5±0.4	15.0±0.5	7.00±0.4
RH 10.5X14X7.3	30	85	10.5±0.4	14.0±0.5	7.30±0.4
RH 10.5X20X5.5	75	150	10.5±0.4	20.0±0.5	5.50±0.4
RH 10.5X20X6	70	140	10.5±0.4	20.0±0.5	6.00±0.4
RH 10.5X20X6.5	60	120	10.5±0.4	20.0±0.5	6.50±0.4
RH 10.5X20X7	50	115	10.5±0.4	20.0±0.5	7.00±0.4
RH 10.5X20X7.3	45	105	10.5±0.4	20.0±0.5	7.30±0.4
RH 10.5X28.5X5.5	115	210	10.5±0.4	28.5±0.7	5.50±0.4
RH 10.5X30X6.5	80	175	10.5±0.4	20.0±0.5	6.50±0.4
RH 11X20X5	80	170	11.0±0.5	20.0±0.5	5.00±0.4
RH 11X20X7.5	50	110	11.0±0.5	20.0±0.5	7.50±0.4
RH 11.5X20X5	90	200	11.5±0.5	20.0±0.5	5.00±0.4
RH 11X25X5	95	210	11.0±0.5	25.0±0.6	5.00±0.4

\* All the data listed in this catalogue are for reference only, JENG SHI reserves the right to alter or revise the specifications without prior notification.

\* Beyond the above specification also can meet the special requirements. Need detailed content Please to the website query or contact us.

## Standard Specifications And Dimensions

Stamp	Impedance 25MHz ( $\Omega$ )/Min	Impedance 100MHz ( $\Omega$ )/Min	Dimensions In mm		
			A	B	C
RH 11.5X18.5X5	85	175	11.5±0.5	18.5±0.5	5.00±0.4
RH 11.5X25X5	100	240	11.5±0.5	25.0±0.6	5.00±0.4
RH 11.5X30X5	145	280	11.5±0.5	30.0±0.6	5.00±0.4
RH 11.8X15X7.3	40	100	11.8±0.5	15.5±0.5	7.30±0.4
RH 12X12.5X8.5	35	85	12.0±0.5	12.5±0.5	8.50±0.4
RH 12X12.7X6	50	120	12.0±0.5	12.7±0.5	6.00±0.4
RH 12X12.7X6.5	50	115	12.0±0.5	12.7±0.5	6.50±0.4
RH 12X13X8	35	95	12.0±0.5	13.0±0.5	8.00±0.4
RH 12X15X5.5	55	120	12.0±0.5	15.0±0.5	5.50±0.4
RH 12X15X7.3	45	105	12.0±0.5	15.0±0.5	7.30±0.4
RH 12.1X15.5X7.3	45	110	12.1±0.5	15.5±0.5	7.30±0.4
RH 12X15.5X5.6	65	145	12.0±0.5	15.5±0.5	5.60±0.4
RH 12X16.5X6.5	55	130	12.0±0.5	16.5±0.5	6.50±0.4
RH 12X15X6.5	55	120	12.0±0.5	15.0±0.5	6.50±0.4
RH 12X15X8	40	95	12.0±0.5	15.0±0.5	8.00±0.4
RH 12X15X8.5	30	85	12.0±0.5	15.0±0.5	8.50±0.4
RH 12X17.5X6.5	65	140	12.0±0.5	17.5±0.6	6.50±0.4
RH 12X19X5.6	75	170	12.0±0.5	19.0±0.6	5.60±0.4
RH 12X20X3.5	120	265	12.0±0.5	20.0±0.6	3.50±0.4
RH 12X20X3.6	110	260	12.0±0.5	20.0±0.6	3.60±0.4
RH 12X20X4	120	225	12.0±0.5	20.0±0.5	4.00±0.4
RH 12X20X4.5	115	220	12.0±0.5	20.0±0.5	4.50±0.4
RH 12X20X5	85	180	12.0±0.5	20.0±0.5	5.00±0.4
RH 12X20X5.6	85	185	12.0±0.5	20.0±0.5	5.60±0.4
RH 12X20X6	65	145	12.0±0.5	20.0±0.5	6.00±0.4
RH 12X20X6.5	75	155	12.0±0.5	20.0±0.5	6.50±0.4
RH 12X20X7	55	130	12.0±0.5	20.0±0.5	7.00±0.4
RH 12X20X7.3	55	115	12.0±0.5	20.0±0.5	7.30±0.4
RH 12X20X8.5	45	110	12.0±0.5	20.0±0.5	8.50±0.4
RH 12X23X3.5	125	260	12.0±0.5	23.0±0.6	3.50±0.4
RH 12X23X4.5	120	250	12.0±0.5	23.0±0.6	4.50±0.4
RH 12X23X5.6	85	185	12.0±0.5	23.0±0.6	5.60±0.4
RH 12X23X6.5	70	170	12.0±0.5	23.0±0.6	6.50±0.4
RH 12X23X7.9	45	115	12.0±0.5	23.0±0.6	7.90±0.4
RH 12X24.5X5.6	95	190	12.0±0.5	24.5±0.6	5.60±0.4
RH 12X25X4	130	210	12.0±0.5	25.0±0.6	4.00±0.4
RH 12X25X5.6	105	195	12.0±0.5	25.0±0.6	5.60±0.4
RH 12X25.4X5.2	115	200	12.0±0.5	25.4±0.6	5.20±0.4
RH 12X25X7.3	70	160	12.0±0.5	25.0±0.6	7.30±0.4
RH 12X26X7.3	75	170	12.0±0.5	26.0±0.7	7.30±0.4
RH 12X28.5X5.6	130	250	12.0±0.5	28.5±0.7	5.60±0.4
RH 12X28.5X6.5	90	185	12.0±0.5	28.5±0.7	6.50±0.4

\* All the data listed in this catalogue are for reference only, JENG SHI reserves the right to alter or revise the specifications without prior notification.

\* Beyond the above specification also can meet the special requirements. Need detailed content Please to the website query or contact us.

## Standard Specifications And Dimensions

Stamp	Impedance 25MHz ( $\Omega$ )/Min	Impedance 100MHz ( $\Omega$ )/Min	Dimensions In mm		
			A	B	C
RH 12X28.5X8	70	150	12.0 $\pm$ 0.5	28.5 $\pm$ 0.7	8.00 $\pm$ 0.4
RH 12X29.7X5.6	100	205	12.0 $\pm$ 0.5	29.7 $\pm$ 1.0	5.60 $\pm$ 0.4
RH 12X30X5	105	230	12.0 $\pm$ 0.5	30.0 $\pm$ 1.0	5.00 $\pm$ 0.4
RH 12X30X5.6	102	210	12.0 $\pm$ 0.5	30.0 $\pm$ 1.0	5.60 $\pm$ 0.4
RH 12X33X7.3	110	200	12.0 $\pm$ 0.5	33.0 $\pm$ 1.0	7.30 $\pm$ 0.4
RH 12.2X27X7.9	65	145	12.2 $\pm$ 0.5	27.0 $\pm$ 0.7	7.90 $\pm$ 0.4
RH 12.2X28.5X7.9	70	150	12.2 $\pm$ 0.5	28.5 $\pm$ 0.7	7.90 $\pm$ 0.4
RH 12.3X12.5X5	70	145	12.3 $\pm$ 0.5	12.5 $\pm$ 0.5	5.00 $\pm$ 0.4
RH 12.5X15X8	40	100	12.5 $\pm$ 0.5	15.0 $\pm$ 0.6	8.00 $\pm$ 0.4
RH 12.5X20X8	50	120	12.5 $\pm$ 0.5	20.0 $\pm$ 0.6	8.00 $\pm$ 0.4
RH 12.7X15X7.9	40	100	12.7 $\pm$ 0.5	15.0 $\pm$ 0.6	7.90 $\pm$ 0.4
RH 12.7X16.7X7	50	120	12.7 $\pm$ 0.5	16.7 $\pm$ 0.6	7.00 $\pm$ 0.4
RH 12.7X16.5X7.9	45	105	12.7 $\pm$ 0.5	16.5 $\pm$ 0.6	7.90 $\pm$ 0.4
RH 12.7X18X8	50	120	12.7 $\pm$ 0.5	18.0 $\pm$ 0.6	8.00 $\pm$ 0.4
RH 12.7X25.4X7.9	55	135	12.7 $\pm$ 0.5	25.4 $\pm$ 0.6	7.90 $\pm$ 0.4
RH 12.8X15X8.4	40	100	12.8 $\pm$ 0.5	15.0 $\pm$ 0.5	8.40 $\pm$ 0.4
RH 13X20X5	115	205	13.0 $\pm$ 0.5	20.0 $\pm$ 0.6	5.00 $\pm$ 0.4
RH 13X28X8	65	155	13.0 $\pm$ 0.5	28.0 $\pm$ 0.7	8.00 $\pm$ 0.4
RH 14X15X7	55	125	14.0 $\pm$ 0.5	15.0 $\pm$ 0.5	7.00 $\pm$ 0.4
RH 14X15X9	40	100	14.0 $\pm$ 0.5	15.0 $\pm$ 0.5	9.00 $\pm$ 0.5
RH 14X15X10	35	95	14.0 $\pm$ 0.5	15.0 $\pm$ 0.5	10.0 $\pm$ 0.5
RH 14X16X10	32	98	14.0 $\pm$ 0.5	16.0 $\pm$ 0.5	10.0 $\pm$ 0.5
RH 14X18X10	40	110	14.0 $\pm$ 0.5	18.0 $\pm$ 0.6	10.0 $\pm$ 0.5
RH 14X22X10	50	120	14.0 $\pm$ 0.5	22.0 $\pm$ 0.6	10.0 $\pm$ 0.5
RH 14.2X15X5.5	65	145	14.2 $\pm$ 0.5	15.0 $\pm$ 0.5	5.50 $\pm$ 0.4
RH 14.2X15X6.7	55	125	14.2 $\pm$ 0.5	15.0 $\pm$ 0.5	6.70 $\pm$ 0.4
RH 14.2X15X7.2	50	120	14.2 $\pm$ 0.5	15.0 $\pm$ 0.5	7.20 $\pm$ 0.4
RH 14.2X15X8	50	115	14.2 $\pm$ 0.5	15.0 $\pm$ 0.5	8.00 $\pm$ 0.4
RH 14.2X15X9	45	100	14.2 $\pm$ 0.5	15.0 $\pm$ 0.5	9.00 $\pm$ 0.5
RH 14.2X18X6.5	70	160	14.2 $\pm$ 0.5	18.0 $\pm$ 0.5	6.50 $\pm$ 0.4
RH 14.2X20X4.5	110	240	14.2 $\pm$ 0.5	20.0 $\pm$ 0.5	4.50 $\pm$ 0.4
RH 14.2X20X5.2	100	210	14.2 $\pm$ 0.5	20.0 $\pm$ 0.5	5.20 $\pm$ 0.4
RH 14.2X20X6.35	90	185	14.2 $\pm$ 0.5	20.0 $\pm$ 0.5	6.35 $\pm$ 0.4
RH 14.2X20X7.2	65	140	14.2 $\pm$ 0.5	20.0 $\pm$ 0.5	7.20 $\pm$ 0.4
RH 14.2X22X7.5	70	150	14.2 $\pm$ 0.5	22.0 $\pm$ 0.6	7.50 $\pm$ 0.4
RH 14.2X23.5X6.7	85	175	14.2 $\pm$ 0.5	23.5 $\pm$ 0.6	6.70 $\pm$ 0.4
RH 14.2X23X7.5	80	160	14.2 $\pm$ 0.5	23.0 $\pm$ 0.6	7.50 $\pm$ 0.4
RH 14.2X23.5X8	75	155	14.2 $\pm$ 0.5	23.5 $\pm$ 0.6	8.00 $\pm$ 0.4
RH 14.2X24X9	55	145	14.2 $\pm$ 0.5	24.0 $\pm$ 0.6	9.00 $\pm$ 0.5
RH 14X24X9.5	50	125	14.0 $\pm$ 0.5	24.0 $\pm$ 0.6	9.50 $\pm$ 0.5
RH 14.2X25X7.5	85	165	14.2 $\pm$ 0.5	25.0 $\pm$ 0.6	7.50 $\pm$ 0.4
RH 14.2X25X8	60	150	14.2 $\pm$ 0.5	25.0 $\pm$ 0.6	8.00 $\pm$ 0.4

\* All the data listed in this catalogue are for reference only, JENG SHI reserves the right to alter or revise the specifications without prior notification.

\* Beyond the above specification also can meet the special requirements. Need detailed content Please to the website query or contact us.

## Standard Specifications And Dimensions

Stamp	Impedance 25MHz ( $\Omega$ )/Min	Impedance 100MHz ( $\Omega$ )/Min	Dimensions In mm		
			A	B	C
RH 14.2X25.5X9.5	65	130	14.2±0.5	25.5±0.6	9.50±0.5
RH 14.2X28.5X4.5	180	330	14.2±0.5	28.5±0.7	4.50±0.4
RH 14.2X28.5X5.5	150	285	14.2±0.5	28.5±0.7	5.50±0.4
RH 14.2X28.5X6.35	140	240	14.2±0.5	28.5±0.7	6.35±0.4
RH 14.2X28.5X7	105	230	14.2±0.5	28.5±0.7	7.00±0.4
RH 14.2X28.5X7.2	100	200	14.2±0.5	28.5±0.7	7.20±0.4
RH 14.2X28.5X8	90	190	14.2±0.5	28.5±0.7	8.00±0.4
RH 14.2X28.5X8.3	80	170	14.2±0.5	28.5±0.7	8.30±0.4
RH 14.2X28.5X9	75	155	14.2±0.5	28.5±0.7	9.00±0.5
RH 14.2X28.5X9.5	70	145	14.2±0.5	28.5±0.7	9.50±0.5
RH 14.2X28.5X10	55	125	14.2±0.5	28.5±0.7	10.0±0.5
RH 14.2X30X8	75	175	14.2±0.5	30.0±0.7	8.00±0.4
RH 15.5X28.5X7.3	115	225	15.5±0.5	28.5±0.7	7.30±0.4
RH 15.7X27X9	90	185	15.7±0.5	27.0±0.7	9.00±0.5
RH 15.88X25.6X7.86	115	205	15.88±0.5	25.6±0.7	7.86±0.4
RH 16X17X8	65	145	16.0±0.5	17.0±0.5	8.00±0.4
RH 16X17X9	60	125	16.0±0.5	17.0±0.5	9.00±0.5
RH 16X17X10	40	105	16.0±0.5	17.0±0.5	10.0±0.5
RH 16X17.5X4.3	115	235	16.0±0.5	17.5±0.5	4.30±0.4
RH 16X20X8	85	165	16.0±0.5	20.0±0.5	8.00±0.4
RH 16X20X9	60	135	16.0±0.5	20.0±0.5	9.00±0.5
RH 16X25X9	80	165	16.0±0.5	25.0±0.6	9.00±0.5
RH 16X27X6.35	115	240	16.0±0.5	27.0±0.7	6.35±0.4
RH 16X28X7	105	220	16.0±0.5	28.0±0.7	7.00±0.4
RH 16X28X8	100	220	16.0±0.5	28.0±0.7	8.00±0.4
RH 16X28X9	80	190	16.0±0.5	28.0±0.7	9.00±0.5
RH 16X28X10	75	165	16.0±0.5	28.0±0.7	10.0±0.5
RH 16X28X10.7	65	130	16.0±0.5	28.0±0.7	10.7±0.5
RH 16X28.5X6.35	130	270	16.0±0.5	28.5±0.7	6.35±0.4
RH 16X28.5X7	110	225	16.0±0.5	28.5±0.7	7.00±0.4
RH 16X28.5X8	100	210	16.0±0.5	28.5±0.7	8.00±0.4
RH 16X28.5X9.5	90	170	16.0±0.5	28.5±0.7	9.50±0.5
RH 16X30X8	100	215	16.0±0.5	30.0±1.0	8.00±0.4
RH 16X33.3X8.2	125	250	16.0±0.5	33.3±1.0	8.20±0.4
RH 16.25X50.8X7.9	170	395	16.25±0.5	50.8±1.0	7.90±0.4
RH 17.07X25.4X8.76	105	200	17.07±0.5	25.4±0.6	8.76±0.4
RH 17.5X20X10	60	125	17.5±0.6	20.0±0.5	10.0±0.5
RH 17.5X20X12.5	40	100	17.5±0.6	20.0±0.5	12.5±0.5
RH 17.5X23X12.7	40	110	17.5±0.6	23.0±0.6	12.7±0.5
RH 17.5X23.5X10	70	165	17.5±0.6	23.5±0.6	10.0±0.5
RH 17.5X24X10.5	75	150	17.5±0.6	24.0±0.6	10.5±0.5
RH 17.5X25X10.7	70	155	17.5±0.6	25.0±0.6	10.7±0.5

\* All the data listed in this catalogue are for reference only, JENG SHI reserves the right to alter or revise the specifications without prior notification.

\* Beyond the above specification also can meet the special requirements. Need detailed content Please to the website query or contact us.

## Standard Specifications And Dimensions

Stamp	Impedance 25MHz (Ω)Min	Impedance 100MHz (Ω)Min	Dimensions In mm		
			A	B	C
RH 17.5X25.5X8.7	100	200	17.5±0.6	25.5±0.6	8.70±0.4
RH 17.5X25.5X11.5	60	130	17.5±0.6	25.5±0.6	11.5±0.5
RH 17.5X26.5X9.5	85	185	17.5±0.6	26.5±0.7	9.50±0.5
RH 17.2X27X8	90	200	17.2±0.6	27.0±0.7	8.00±0.4
RH 17.5X27X9.5	80	170	17.5±0.6	27.0±0.7	9.50±0.5
RH 17.5X28.5X8.3	115	240	17.5±0.6	28.5±0.7	8.30±0.4
RH 17.5X28.5X9.5	110	205	17.5±0.6	28.5±0.7	9.50±0.5
RH 17.5X28.5X10	85	170	17.5±0.6	28.5±0.7	10.0±0.5
RH 17.5X28.5X10.5	75	165	17.5±0.6	28.5±0.7	10.5±0.5
RH 17.5X28.5X11.3	65	145	17.5±0.6	28.5±0.7	11.3±0.5
RH 17.5X28.5X11.7	65	145	17.5±0.6	28.5±0.7	11.7±0.5
RH 17.5X28.5X12	65	140	17.5±0.6	28.5±0.7	12.0±0.5
RH 17.5X28.5X12.5	55	125	17.5±0.6	28.5±0.7	12.5±0.5
RH 17.5X35X9.5	130	230	17.5±0.6	35.0±1.0	9.50±0.5
RH 18X28X10	100	195	18.0±0.6	28.0±0.7	10.0±0.5
RH 18X29X10	100	210	18.0±0.6	29.0±0.7	10.0±0.5
RH 18X36.3X9.4	105	240	18.0±0.6	36.3±1.0	9.40±0.5
RH 18.2X23.5X9.5	85	190	18.2±0.6	23.5±0.6	9.50±0.5
RH 18.2X25.5X11	75	155	18.2±0.6	25.5±0.6	11.0±0.5
RH 18.2X28.5X9.5	95	200	18.2±0.6	28.5±0.7	9.50±0.5
RH 18.4X20.5X12.5	45	110	18.4±0.6	20.5±0.7	12.5±0.5
RH 18.4X28.5X10.3	90	200	18.4±0.6	28.5±0.7	10.3±0.5
RH 18.4X28.5X11	75	160	18.4±0.6	28.5±0.7	11.0±0.5
RH 19X28.5X12.7	65	130	19.0±0.6	28.5±0.7	12.7±0.5
RH 19X29X12	75	150	19.0±0.6	29.0±0.7	12.0±0.5
RH 19X29X13	60	130	19.0±0.6	29.0±0.7	13.0±0.5
RH 19X50.3X10	175	320	19.0±0.6	50.3±1.0	10.0±0.5
RH 20X30X8	135	285	20.0±0.6	30.0±1.0	8.00±0.4
RH 20.8X30X11.6	90	200	20.8±0.6	30.0±1.0	11.6±0.5
RH 21X37X9	165	310	21.0±0.6	37.0±1.0	9.00±0.5
RH 21X29X15	55	130	21.0±0.6	29.0±0.7	15.0±0.6
RH 22.5X25X13.5	75	150	22.5±0.6	25.0±0.6	13.5±0.5
RH 22.5X29X13.8	80	175	22.5±0.6	29.0±0.7	13.8±0.5
RH 25.9X26.5X12.9	105	215	25.9±0.7	26.5±0.7	12.9±0.5
RH 26X28X16	65	160	26.0±0.7	28.0±0.7	16.0±0.6
RH 26X28.5X13	115	225	26.0±0.7	28.5±0.7	13.0±0.5
RH 25.9X28.5X12.6	110	230	25.9±0.7	28.5±0.7	12.6±0.5
RH 25.9X29X12.7	115	230	25.9±0.7	29.0±1.0	12.7±0.5
RH 26X30X13	110	245	26.0±0.7	20.0±0.5	13.0±0.5
RH 27.5X28.5X13.5	105	210	27.5±0.7	28.5±0.7	13.5±0.5
RH 28X30X13.5	120	250	28.0±0.7	30.0±0.7	13.5±0.5

\* All the data listed in this catalogue are for reference only, JENG SHI reserves the right to alter or revise the specifications without prior notification.

\* Beyond the above specification also can meet the special requirements. Need detailed content Please to the website query or contact us.