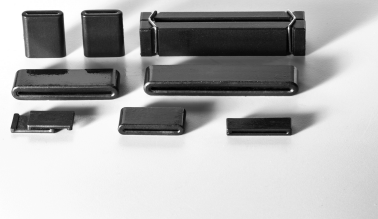


FS Series



Features

Excellent heat resistance
Available in various sizes & materials
High reliability

Applications

E.M.I. Suppression on round cable...
Computer and peripheral products
Consumer electronic products
Communication electronic products
Measuring instruments

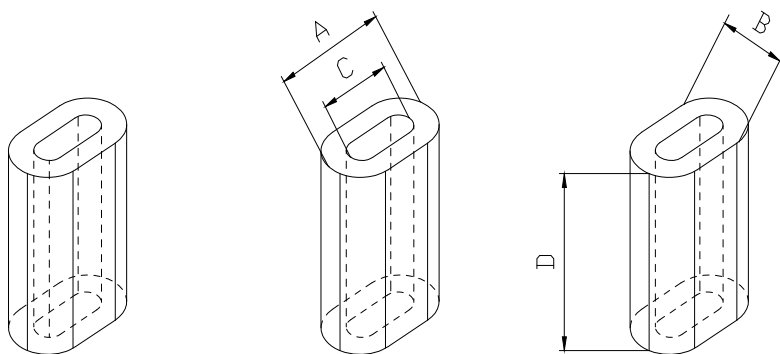
Product Identification

FS X x X x X x X - X
For example: FS 5X3X3X9-1

General Specifications

Test Frequency.....25MHz
Test Frequency.....100MHz
Parameters Test Temp..... 25°C
Operation Temp.....-20°C to +85°C
(Including temperature Rise)
Storage Temp.....0~-40°C
Storage Humidity.....<70% RH

Shape



Standard Specifications And Dimensions

Stamp	Impedance 25MHz (Ω)Min	Impedance 100MHz (Ω)Min	Dimensions In mm				
			A	B	C	D	E
FS 5X3X3X9-1	40	95	5.00±0.3	3.00±0.3	3.00±0.3	9.00±0.4	1.0±0.3
FS 5X3X3.4X4-1.4	20	65	5.00±0.3	3.00±0.3	3.40±0.3	4.00±0.3	1.4±0.3
FS 5X3X3.4X9-1.4	30	85	5.00±0.3	3.00±0.3	3.40±0.3	9.00±0.4	1.4±0.3
FS 6.5X3.8X4X5.5-1.5	20	70	6.50±0.4	3.80±0.4	4.00±0.4	5.50±0.4	1.5±0.4
FS 6.5X3.8X4X9-1.5	65	85	6.50±0.4	3.80±0.4	4.00±0.4	9.00±0.4	1.5±0.4
FS 7.5X5.5X5.3X8-3.3	25	75	7.50±0.5	5.50±0.5	5.30±0.5	8.00±0.5	3.3±0.5
FS 7.5X5.5X5.3X11.5-3.3	30	85	7.50±0.5	5.50±0.5	5.30±0.5	11.5±0.5	3.3±0.5
FS 8.5X5X6.2X3.4-1.3	20	60	8.50±0.5	5.00±0.5	6.20±0.5	3.40±0.4	1.3±0.4
FS 9.1X5.6X7.2X5-3.7	20	65	9.10±0.5	5.60±0.5	7.20±0.5	5.00±0.5	3.7±0.5
FS 9.1X5.6X7.2X7.8-3.7	20	70	9.10±0.5	5.60±0.5	7.20±0.5	7.80±0.5	3.7±0.5
FS 12X4.5X9X12-1.5	45	115	12.0±0.5	4.50±0.5	9.00±0.5	12.0±0.5	1.5±0.5

* All the data listed in this catalogue are for reference only, JENG SHI reserves the right to alter or revise the specifications without prior notification.

* Beyond the above specification also can meet the special requirements. Need detailed content Please to the website query or contact us.

Standard Specifications And Dimensions

Stamp	Impedance 25MHz (Ω)Min	Impedance 100MHz (Ω)Min	Dimensions In mm				
			A	B	C	D	E
FS 19X6.5X14X8-1.7	25	75	19.0±0.6	6.50±0.5	14.0±0.6	8.00±0.5	1.7±0.5
FS 19X6.5X14X8-2.0	25	75	19.0±0.6	6.50±0.5	14.0±0.6	8.00±0.5	2.0±0.5
FS 19X6.5X13.5X12-1.8	40	100	19.0±0.6	6.50±0.5	13.5±0.6	12.0±0.5	1.8±0.5
FS 19X6.5X14X12-1.8	40	100	19.0±0.6	6.50±0.5	14.0±0.6	12.0±0.5	1.8±0.5
FS 19X6.5X14.5X12-2.5	30	85	19.0±0.6	6.50±0.5	14.5±0.6	12.0±0.5	2.0±0.5
FS 23.5X6.5X18.5X12.5-1.5	40	110	23.5±0.6	6.50±0.5	18.5±0.6	12.5±0.5	1.5±0.5
FS 23.5X6.5X18.5X15-1.1	45	120	23.5±0.6	6.50±0.5	18.5±0.6	15.0±0.5	1.1±0.5
FS 23.5X6.5X19.5X15-1.4	40	115	23.5±0.6	6.50±0.5	19.5±0.6	15.0±0.5	1.4±0.5
FS 25X5X21X9.5-1.5	25	95	25.0±0.6	5.00±0.5	21.0±0.6	9.5±0.5	1.5±0.5
FS 25X5X21X12-1.5	30	100	25.0±0.6	5.00±0.5	21.0±0.6	12.0±0.5	1.5±0.5
FS 28X7.7X23X12-2.4	35	100	28.0±0.7	7.70±0.5	23.0±0.6	12.0±0.5	2.4±0.5
FS 28X8X21X15-2	40	110	28.0±0.7	8.00±0.5	21.0±0.6	15.0±0.5	2.0±0.5
FS 28X14X20.5X13-7.2	30	90	28.0±0.7	14.0±0.5	20.5±0.6	13.0±0.5	7.2±0.5
FS 29X8X22X10-2	30	95	29.0±0.7	8.00±0.5	22.0±0.6	10.0±0.5	2.0±0.5
FS 29X8X22X12-2.4	30	115	29.0±0.7	8.00±0.5	22.0±0.6	12.0±0.5	2.4±0.5
FS 32X6.5X27.5X9.5-3.0	20	80	32.0±1.0	6.50±0.5	27.5±0.6	9.50±0.5	3.0±0.5
FS 32X6.5X28X12-2.5	20	85	32.0±1.0	6.50±0.5	28.0±0.6	12.0±0.5	2.5±0.5
FS 32X6.5X28.5X9.5-2.5	20	80	32.0±1.0	6.50±0.5	28.5±0.6	9.50±0.5	2.5±0.5
FS 33.5X6.5X27X8-1.3	25	85	33.5±1.0	6.50±0.5	27.0±0.6	8.00±0.5	1.3±0.5
FS 33.5X6.5X27X10-1.3	30	105	33.5±1.0	6.50±0.5	27.0±0.6	10.0±0.5	1.3±0.5
FS 33.5X6.5X27X12-1.3	30	110	33.5±1.0	6.50±0.5	27.0±0.6	12.0±0.5	1.3±0.5
FS 33.5X6.5X27X15-1.3	40	120	33.5±1.0	6.50±0.5	27.0±0.6	15.0±0.5	1.3±0.5
FS 33.5X6.5X27.5X8-1.5	20	80	33.5±1.0	6.50±0.5	27.5±0.6	8.00±0.5	1.5±0.5
FS 33.5X6.5X27.5X10-1.8	30	95	33.5±1.0	6.50±0.5	27.5±0.6	10.0±0.5	1.8±0.5
FS 33.5X6.5X27.5X12-1.8	35	100	33.5±1.0	6.50±0.5	27.5±0.6	12.0±0.5	1.8±0.5
FS 38.5X4X35X12-0.8	35	115	38.5±1.5	4.00±0.4	35.0±1.0	12.0±0.5	0.8±0.4
FS 38.5X4X35X18-0.8	50	150	38.5±1.5	4.00±0.4	35.0±1.0	18.0±0.6	0.8±0.4
FS 40X6.5X35X12-1.8	30	110	40.0±1.5	6.50±0.5	35.0±1.0	12.0±0.5	1.8±0.5
FS 40X6.5X35X15-2	30	100	40.0±1.5	6.50±0.5	35.0±1.0	15.0±0.5	2.0±0.5
FS 40X6.5X35X18-2	40	125	40.0±1.5	6.50±0.5	35.0±1.0	18.0±0.5	2.0±0.5
FS 49.6X6.5X44X12-1.3	20	65	49.6±1.5	6.50±0.5	44.0±1.0	12.0±0.5	1.3±0.5

*All the data listed in this catalogue are for reference only, JENG SHI reserves the right to alter or revise the specifications without prior notification.

*Beyond the above specification also can meet the special requirements. Need detailed content Please to the website query or contact us.