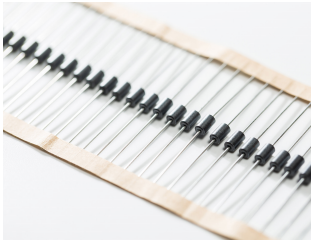


SRH Series



Features

These filters suppress voltage & current spikes within the circuits and provide protection to semiconductor devices.
These filters can be mounted directly onto the leads of components utilizing no additional space.
When these products are placed in series with diodes, they more effectively suppress transient current changes which cause noise than other methods.
Best designed and tested to offer perfect space utilization and accurate impedance.

Applications

Prevention of high frequency EMI from Video and acoustic communication units as well as other electronic devices.

Product Identification

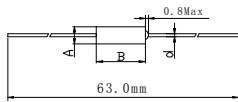
SRH XXXX TL - XXX-XXX
For example:SRH3545TL-J5C-065

General Specifications

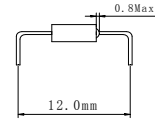
Parameters Test Temp..... 25°C
Operation Temp.....-25°C to +85°C
(Including temperature Rise)
Storage Temp.....0~+40°C
Storage Humidity.....<70% RH

Leads Configuration

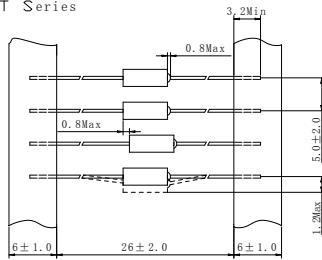
B Series



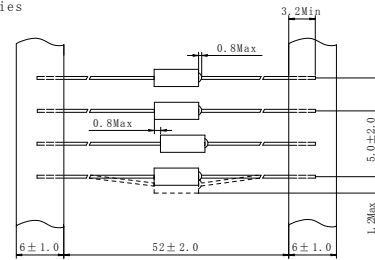
B-C Series



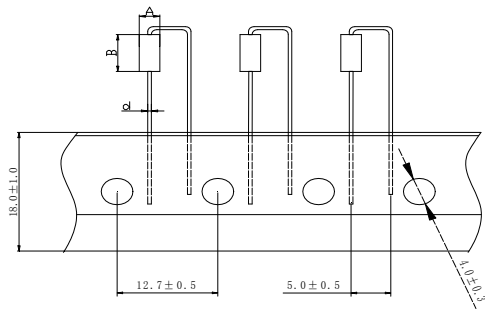
T Series



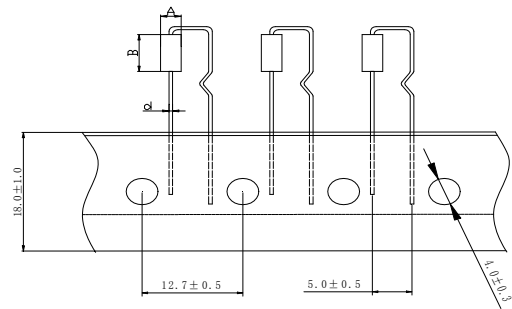
T Series



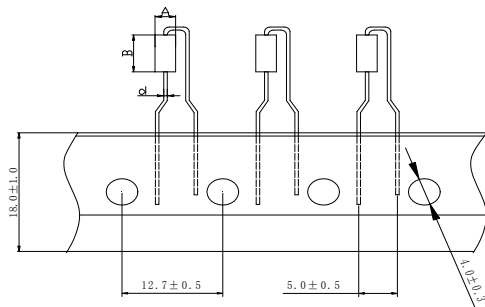
T-C Series



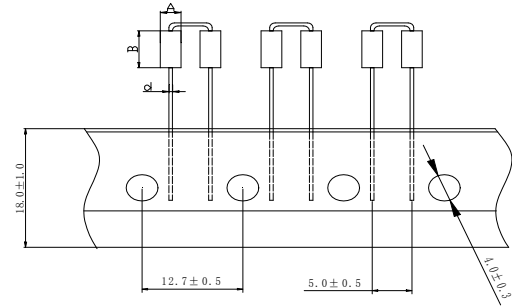
T-C-H Series



T-C-2H Series



TX2-C Series



Standard Specifications

Remark	Dimensions(mm)				Impedance (Ω)Min 10MHz	Impedance (Ω)Min 25MHz	Impedance (Ω)Min 100MHz
	Part No	A ± 0.2	B ± 0.3	d ± 0.1			
T/B	SRH2530T/BL-J5C-065	2.5	3.0	0.65	8	12	30
	SRH2540T/BL-J5C-065	2.5	4.0	0.65	12	18	35
	SRH2570T/BL-J5C-065	2.5	7.0	0.65	20	25	40
	SRH3530T/BL-J5C-065	3.5	3.0	0.65	10	15	35
	SRH3545T/BL-J5C-065	3.5	4.5	0.65	15	20	45
	SRH3547T/BL-J5C-065	3.5	4.7	0.65	18	25	50
	SRH3550T/BL-J5C-065	3.5	5.0	0.65	20	30	60
	SRH3560T/BL-J5C-065	3.5	6.0	0.65	20	40	70
	SRH3575T/BL-J5C-065	3.5	7.5	0.65	28	55	75
	SRH3578T/BL-J5C-065	3.5	7.8	0.65	29	58	78
	SRH3580T/BL-J5C-065	3.5	8.0	0.65	30	60	80
	SRH3583T/BL-J5C-065	3.5	8.3	0.65	30	65	100
	SRH3590T/BL-J5C-065	3.5	9.0	0.65	50	70	110
	SRH3514T/BL-J5C-065	3.5	14.0	0.65	55	80	120
T-C-2H T-C-H T-C	SRH3545TL-C-2H/H-J5C-065	3.5	4.5	0.65	15	20	45
	SRH3560TL-C-2H/H-J5C-065	3.5	6.0	0.65	20	40	70
	SRH3590TL-C-2H/H-J5C-065	3.5	9.0	0.65	50	70	110
TX2 BX2	SRH3530T/BLX2-J5C-065	3.5	3.0	0.65	10	20	40
	SRH3545T/BLX2-J5C-065	3.5	4.5	0.65	20	40	80
	SRH3547T/BLX2-J5C-065	3.5	4.7	0.65	30	45	85
	SRH3550T/BLX2-J5C-065	3.5	5.0	0.65	35	50	90
	SRH3560T/BLX2-J5C-065	3.5	6.0	0.65	40	55	110
	SRH3590T/BLX2-J5C-065	3.5	9.0	0.65	50	70	180

*All the data listed in this catalogue are for reference only, JENG SHI reserves the right to alter or revise the specifications without prior notification.

*Beyond the above specification also can meet the special requirements. Need detailed content Please to the website query or contact us.

